

Specification Sheet

WaterUps® Oasis 1680 Wicking Bed

14050PEUC
14080SG/SG
14070WALL
14040WOOD

Go to the product page

You can go to the product page on our website using the link or the QR code below.

Product Page 



Description

The WaterUps® Oasis 1680 Wicking Bed is Australian designed for those gardeners looking for a deeper bed to grow larger plants. They are manufactured from COLORBOND® steel and include top and bottom capping rails for greater wall strength.

The design also includes diecast bevelled corners to eliminate sharp edges. This makes the the WaterUps® Oasis 1680 Wicking Bed perfect for schools and Early Learning Centres.

The bed only needs watering once every two or three weeks as no water is lost through evaporation. Just add perlite, potting mix, compost, and your plants.

Colours available

SKU: 14050PEUC - Pale Eucalypt

SKU: 14080SG/SG - Shale Grey

SKU: 14070WALL - Wallaby

SKU: 14040WOOD - Woodland Grey

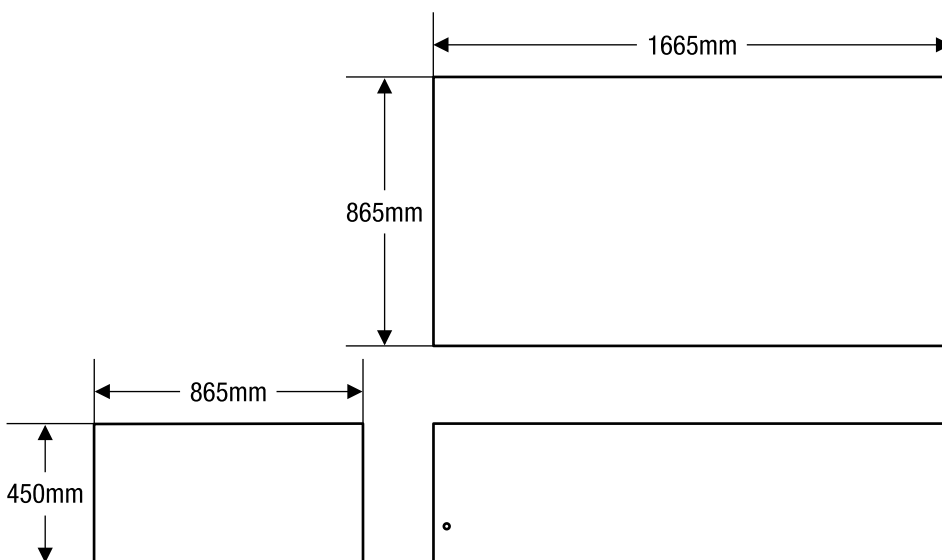
Contents

The WaterUps® 1680 Wicking Bed Kit contains the following:

- 1 x WaterUps® Oasis 1680 Wicking Bed;
- 1 x WaterUps® 1680 Reservoir Liner;
- 8 x WaterUps® Wicking Cells;
- 1 x WaterUps® Inlet Pipe and Cap;
- 1 x WaterUps® Long Overflow Pipe;
- 11 x WaterUps® Joiners; and
- 1 x Assembly guide.

Specifications

Material - Oasis 1680 Wicking Bed:	COLORBOND® steel
Material - Oasis 1680 Reservoir Liner:	0.38mm Black Jetco Promeg Ecorange 100% recycled Polypropylene
Material - WaterUps® System Products:	Recycled Polypropylene
Country of manufacture:	Australia
External dimensions:	1665mm L x 865mm W x 450mm H
Colour - Oasis 1680 Reservoir Liner:	Black
Colour - WaterUps® System products:	Black
Weight:	24.0 kilograms
Water reservoir capacity:	140.8 litres



Contact Us

Sales

Email sales@waterups.com.au

Phone: 1300 205 550

General Enquiries

Email: info@waterups.com.au

Account Enquiries

Email: accounts@waterups.com.au

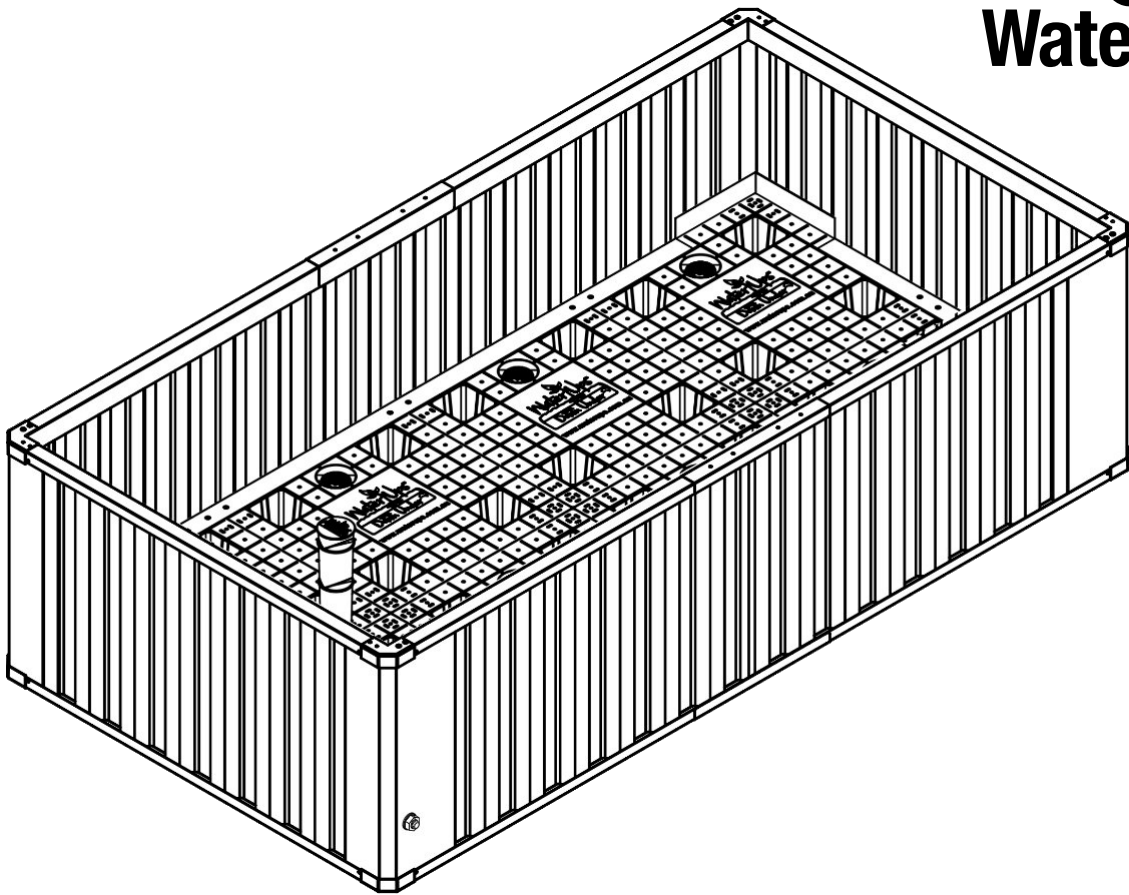
The WaterUps® website is owned and operated by WaterWix Pty Ltd – ABN 58 166 973 011.

The information contained in this document is provided as is and without any warranties of any kind, whether expressed or implied. Users are advised to make their own determination as to the suitability of this information

in relation to their particular purpose or specific circumstances. No responsibility can be accepted by WaterUps®, WaterWix Pty Ltd, or its staff for any loss resulting from any action taken or reliance made by you on any information contained in this document.

Copyright © 2022 WaterWix Pty Ltd. All rights reserved. WaterUps, the WaterUps Logo and Wicking our World are registered trademarks of WaterWix Pty Ltd.

Published: 1 April 2022



Assembly Guide

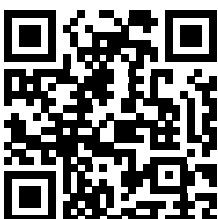
WaterUps® Oasis 1680 Wicking Bed

14050PEUC
14050SG/SG
14070WALL
14040WOOD

Before you start

Watch the full assembly guide video on our YouTube page. You can go to it using the button or the QR code below.

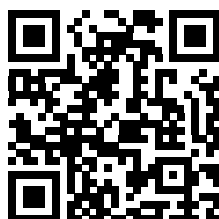
[Assembly Guide video](#) 



Reservoir liner assembly guide

You can download a copy of the WaterUps® 1680 Reservoir Liner Insert assembly guide by using the button or the QR code below.

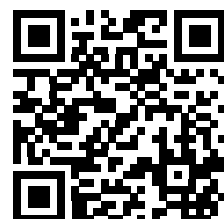
[Reservoir liner](#) 



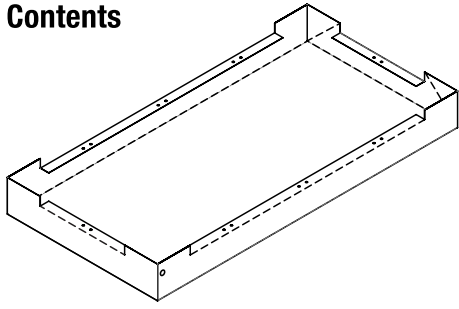
WaterUps® Getting Started page

Our Getting Started page contains lots of helpful information. You can go to it using the link or the QR code below.

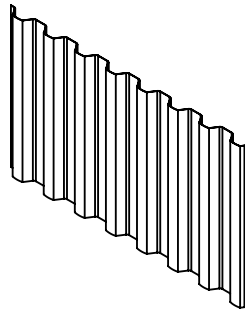
[Getting Started page](#) 



Contents



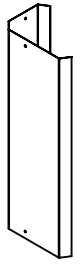
1 x WaterUps® 1680 Reservoir Liner



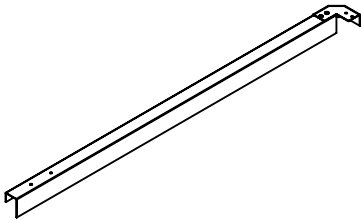
6 x Wall Panels



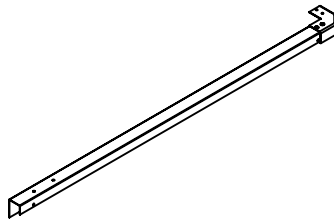
1 x Corner Panel with the hole for the overflow pipe



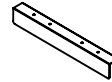
3 x Corner Panels



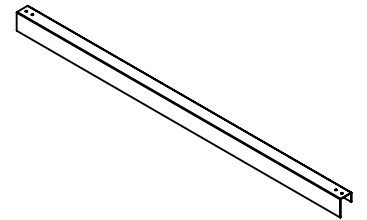
4 x Right-side Corner Rails



4 x Left-side Corner Rails



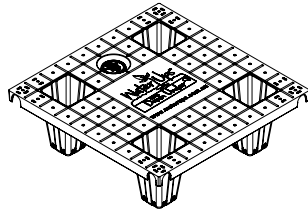
4 x Connector Rails



4 x End Rails



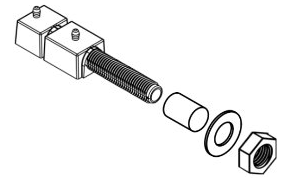
1 x bag of screws



8 x WaterUps® Wicking Cells



1 x Inlet Pipe and Cap



1 x Overflow Pipe & spacer

You will need



Approximately 3 square metres of level ground to build on.



No. 2 Phillips head screwdriver.



A sharp knife.



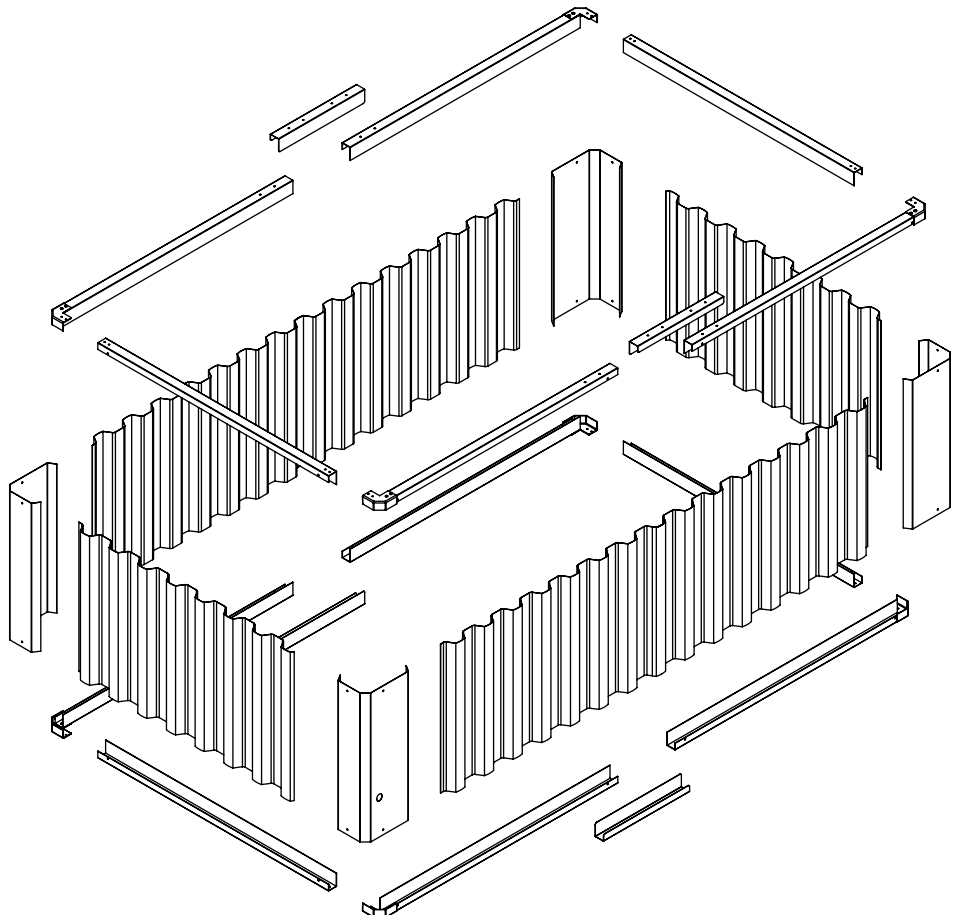
Approximately 2 litres of water.



1 x 20 litre bag of Perlite.



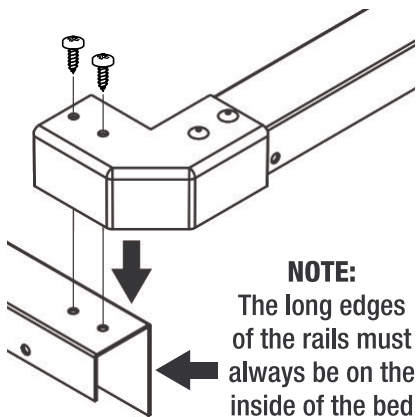
16 x 25 litre bags of good quality soil or potting mix.



1. Assembling the Oasis 1680 metal bed frame.

Open the box and lay the contents out near the area you will be assembling your wicking bed. Remove any protective film from the pieces as you lay them out. Place the screws in a small container or bowl so as not to lose them.

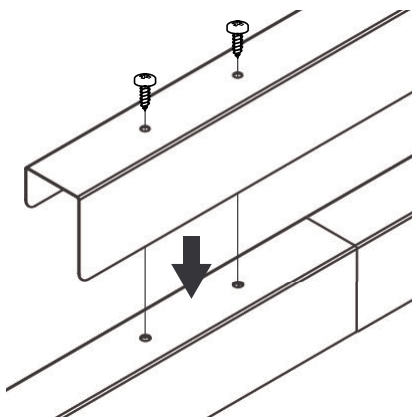
Join 1 x left-side corner rail and 1 x right-side corner rail to 1 x end rail (with the short side facing out and the longer side facing in) to one end rail and screw in the 4 x self-tapping screws to secure the rails.



You should now have a U-shaped rail. Repeat the process to create a second U-shaped rail.

Join the 2 x U-shaped rails using the Joiner Inserts to form the base for the Oasis 1680 bed.

Adjust the position of the inserts so that the screw holes align and screw in the 4 x self-tapping screws.



Now turn the connected U-shaped rails over so that you can see the channel for the corner and wall panels. Locate the corner panel with the hole for the overflow pipe and position it (when looking from the end of the bed) to the

base of the far left corner with the hole closest to the bottom. Align the screw hole in the corner panel and the matching hole in the rail and insert the self-tapping screw to secure.

Repeat for the opposite corner panel.

Insert the the end wall panel between the 2 corner panels.

Place the end rail on top to keep the end wall panel and the corner panel in the correct position.

Insert the other 2 corner panels and the end wall panel following the same process as above.

Place 2 wall panels in position along one side (Be mindful not to cover the panel with the overflow hole). When overlapping the panels ensure the grey lip fits under the adjoining panel.

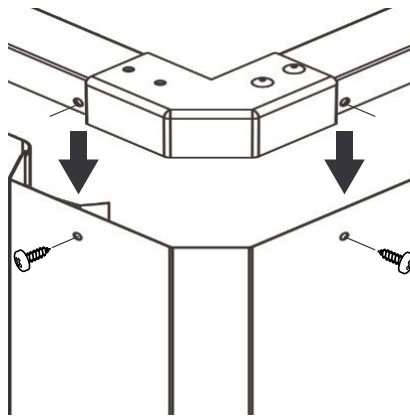
Now add the matching right and left side bracket side rails and screw into position.

Place the connector rails in position and secure them with screws

Gradually slide the side rail into position over the top of the corner and wall panels and once done align the screw hole in the corner panel and the matching hole in the rail and secure it with screws.

Then repeat at the other end.

Repeat the above to add the other side rails.



2. Fitting the WaterUps® Reservoir Liner Insert into the bed.

Refer to the WaterUps® 1680 Reservoir Liner Insert assembly guide for how to install the reservoir liner. You can access it by using the link or QR code on page 1.

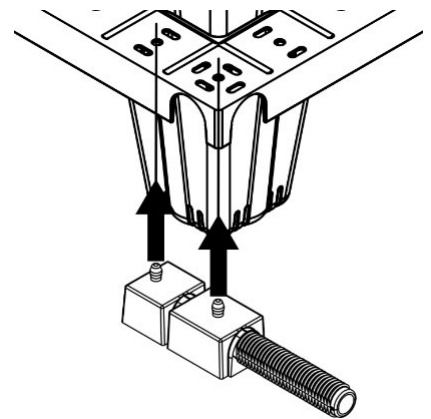
Before placing the reservoir liner in the base of the bed ensure that the base is level and compacted and free from any sharp objects such as stones.

Place the reservoir liner in the base so that it sits inside the bottom railing, making sure that the hole in the liner for the overflow pipe lines up with the hole in the bed wall.

Note: Although the WaterUps® 1680 Reservoir Liner Insert assembly guide says to use Joiners, they are not really needed for this wicking bed.

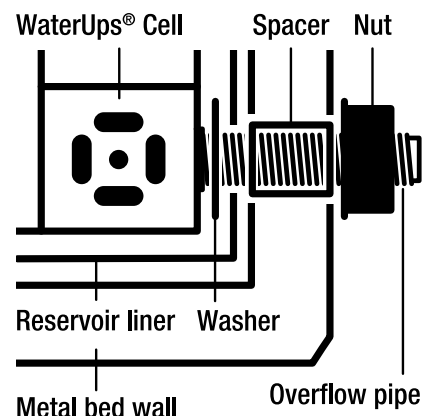
3. Adding the WaterUps® Cells plus the inlet and overflow pipes.

Place a WaterUps® cell in the base of the liner near the overflow hole to work out the correct position to attach the overflow pipe to the cell.



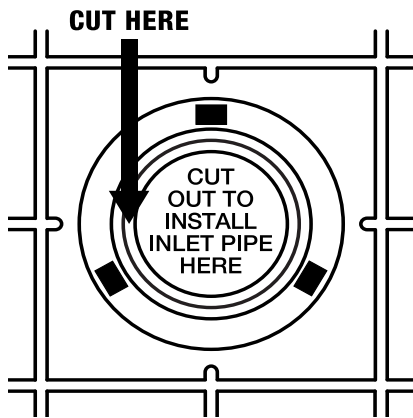
After attaching the overflow pipe and clicking it into position, add the rubber washer to the overflow pipe and push in until it abuts the liner.

Now carefully place the cell with the overflow pipe in the base of the liner positioning it so that the thread of the overflow pipe protrudes from the external wall of the bed frame. Slide on the white spacer pipe and push it through the hole in the steel frame until it abuts the wall of the reservoir liner. Now screw on the nut and secure tightly in position.

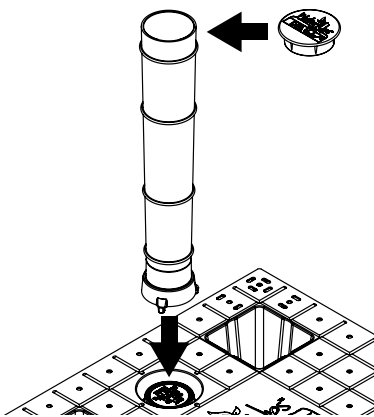


To fit the WaterUps® Inlet Pipe you must first cut a hole in the top of one of the WaterUps® Cells.

Using a sharp knife cut along the circular groove around the type on the top of the WaterUps® Cell as shown in the image below.



The three tabs on the bottom of the water inlet pipe must lock into the three holes in the top of the WaterUps® Cell. Apply some pressure to the inlet pipe as you insert it, until it clicks into place in the WaterUps® Cell.



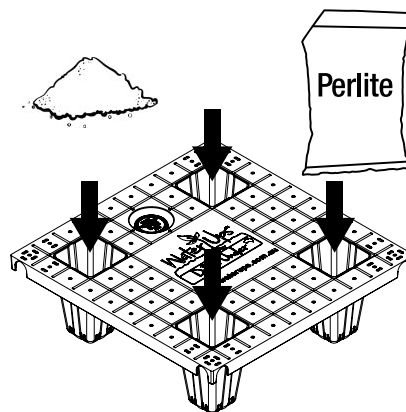
Place all remaining WaterUps® cells in position and fold down the flaps on top of the reservoir liner.

4. Adding perlite to the feet of the WaterUps® Cell.

Adding Perlite to the 'wicks' will improve airflow through to the soil. Both fine and medium grain perlite work effectively for this purpose.

The wicks, which are the 4 feet at the base of each cell, should all be filled with perlite.

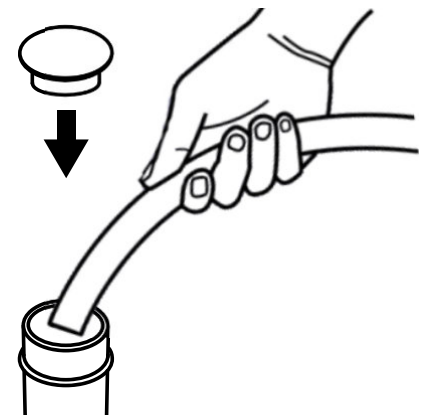
You will need 20 litres of Perlite for your Oasis 1680 Wicking Bed.



5. Add potting mix or soil to the wicking bed.

You will now need 16 x 25 litre bags of good quality potting mix or potting soil to fill the Oasis 1680 Wicking Bed.

For more information please refer to our *Soil Considerations Guide* which you will find on our Getting Started page. You can go to it using the link or QR code at the bottom of page 1.



6. Watering your wicking bed.

To water your bed simply insert a garden hose into the inlet pipe and fill the water reservoir until water starts flowing out of the overflow pipe. Replace the cap when done.

The water reservoir of your bed will hold 140.8 litres of water. How often you need to refill the reservoir will depend on what plants you are growing, the time of year, and the amount of natural rainfall that you receive. However, in our experience, periods of up to four weeks are achievable before you will need to refill your wicking bed.

It is recommended that you allow the water level in the bed to go down to at least 1/4 full before refilling. This will assist soil aeration.

To check how much water is in the reservoir simply use a dipstick or set up a moisture sensor system.

Contact Us

Sales

Email: sales@waterups.com.au

Phone: 1300 205 550

General Enquiries

Email: info@waterups.com.au

Account Enquiries

Email: accounts@waterups.com.au

The WaterUps® website is owned and operated by WaterWix Pty Ltd – ABN 58 166 973 011.

The information contained in this document is provided as is and without any warranties of any kind, whether expressed or implied. Users are advised to make their own determination as to the suitability of this information

in relation to their particular purpose or specific circumstances. No responsibility can be accepted by WaterUps®, WaterWix Pty Ltd, or its staff for any loss resulting from any action taken or reliance made by you on any information contained in this document.

Copyright © 2022 WaterWix Pty Ltd. All rights reserved. WaterUps, the WaterUps Logo and Wicking our World are registered trademarks of WaterWix Pty Ltd.

Published: 5 April 2022